



## TECHNICAL DATA

### TYPE

Professional LED projectors for **Public Lighting**. Can be used in Highway or any public road and in Parks.

### CHARACTERISTICS

LEDs: 2835

Nomial efficacy: 170 lm/W

Maximum LED: 1000mA

Lifetime L90B10: >50,000 hours

Luminous flux and efficacy at 5000°K

Luminous flux tolerance <+/-3%

Values may be subject to change du LED binning.

### OPENING/BEAM

High efficiency Ra>80 LED. 60°

### MATERIAL

Die-cast aluminium, Transparent 4mm

tempred-Glass

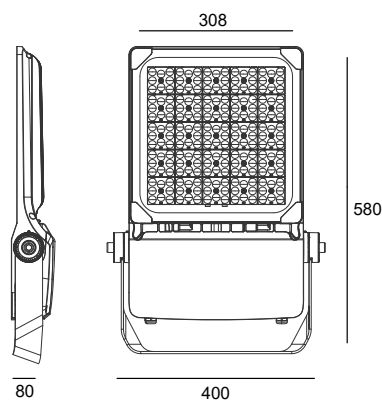
Aluminum frame

Steel Galvanized and painted bracket

PRO	CRI ≥ 70	
IP66	50000h	60 L°
100-277V 50/60Hz		5 YEARS WARRANTY

Model:	Cromo
Format:	Rectangular
Location:	Exterior
Wattage:	400W
Materials:	Aluminium
Led Color:	5700K
Product Dimension:	580*400*308mm
IP Code:	66
Fixation:	Surface
CRI :	70
Luminous Efficacy :	170Lm/W
Lumen Output:	68,000LM
Driver:	SOSEN
LED Chip:	Lumileds
Frequency:	50/60 Hz
Beam Angle:	60°
Net Weight:	7.5Kgs

## DIMENSION DRAW



# OUTDOOR